

Panasonic
ideas for life

2006/4

Live Switcher
AW-SW350

5-inputs, Compact Size Live Switcher



Live Switcher

High-Quality 5-inputs Live

Field Production



Sports Arena



Race Track

Permanent Camera System



Educational Tool



Conference Hall

Video Recording

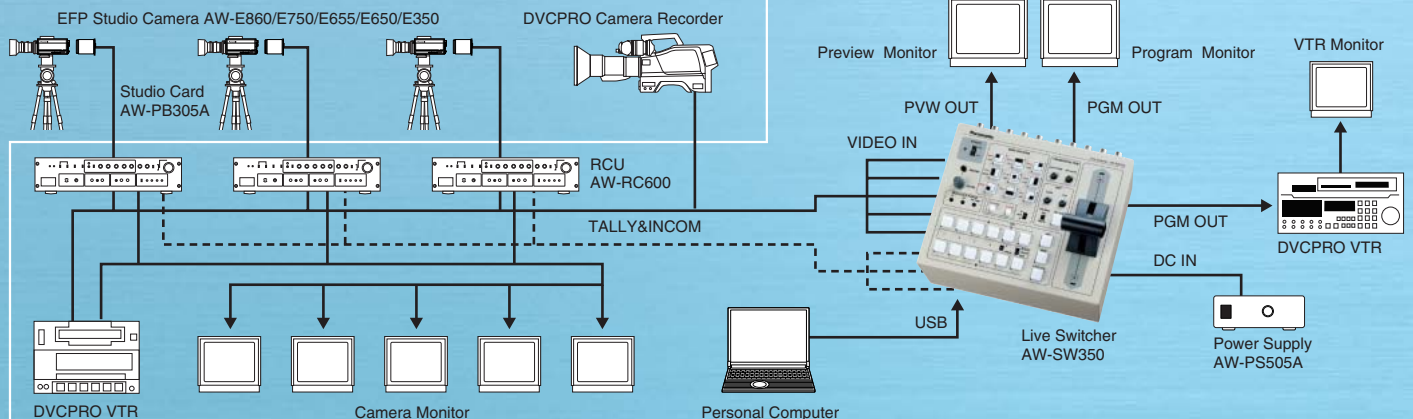


CATV Broadcasting



Studio Production

SYSTEM EXAMPLE



Switcher for Multi Use

5-inputs (Composite and Y/C) in Compact Body

- 5 composite inputs/2 outputs are available. Auto termination and loop through outputs.
- 5 Y/C video inputs/1outputs (4P) are available.
- Possible to switch input 5 and video in self-contained frame memory. Selectable color background: black and 9 colors.

Selectable A/B Bus System or Flip Flop System in Bus Operation

10-bit 5-channel Frame Synchronizer/External Gen-lock System

- Built-in 10-bit 5-channel frame synchronizer, which is useful for high-quality switching (No freeze picture in asynchronous video input)
- This switcher can also have the Frame Synchronizer turned off and thus be used as a gen-lockable device for high-quality video.
- Black Burst Output offers and genlockable by external video signal

Frame Capture, Soft Wipe and Linear Key

- USB port is available for mixing/keying video and characters graphics from PC. One frame memory is self-contained.
- 9 wipe patterns and manual/auto wipe (hard wipe/3 steps of soft wipe)
- Smooth characters keying by linear key system.

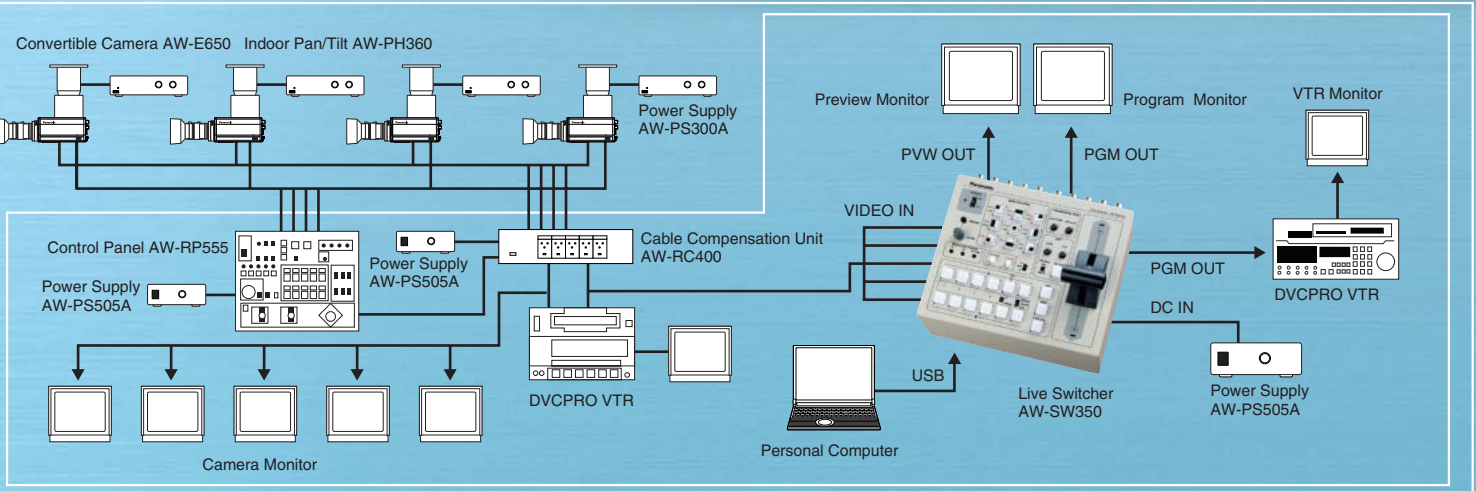
3 Program Outputs and 1 Preview Output

5-tally Outputs and 5-intercom Inputs/Outputs

DC Operated Compact Switcher

- This half rack size switcher can operate off DC battery power and it can be used in the field.*

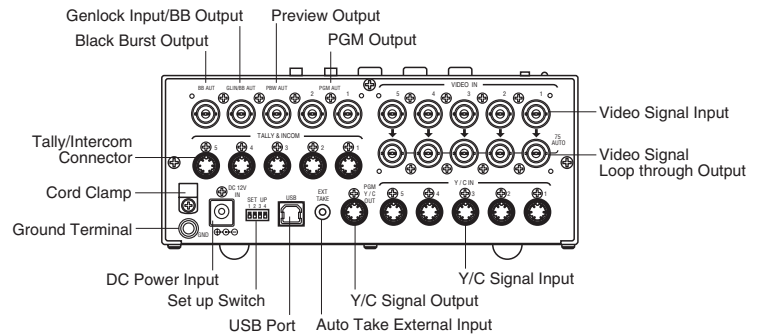
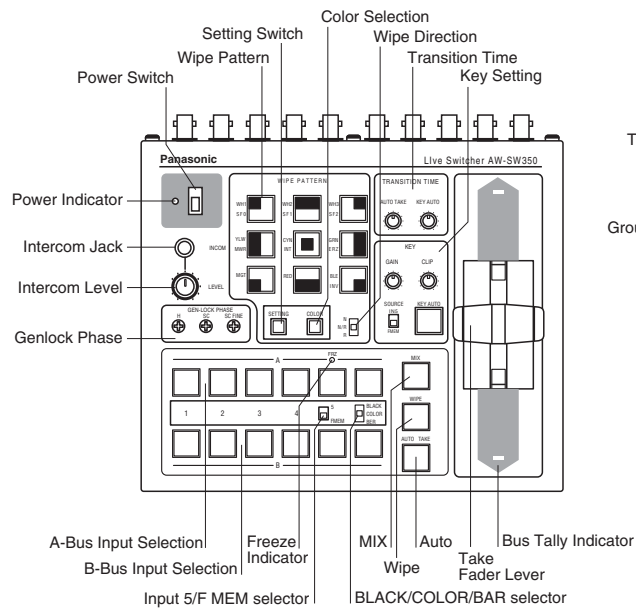
*Be careful of rain and water drop because this is not water proof construction.
*Power supply AW-PS505A is required.



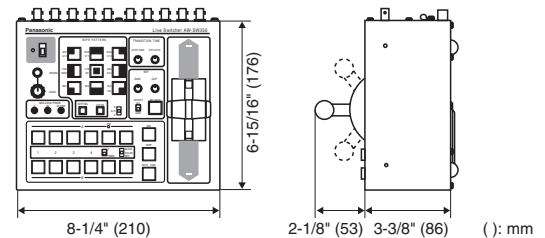
Specifications

Video format		NTSC/PAL switchable	Intercom		1 to 5(6-pin connector, 3/4 wire selectable) Intercom jack(M6 jack)
Video input	Composite input	VBS:1.0 Vp-p/75 Ωx5(BNC) Automatic termination	Tally control		
	Y/C input	Y:1.0 Vp-p/75 Ω C:0.286 Vp-p/75 Ωx5(S)NTSC 0.3 Vp-p/75 Ωx5(S)PAL	Color bar signal		
Video output	Composite output	VBS:1.0 Vp-p/75 Ωx2(BNC)	White and black signal		
	Y/C output	Y:1.0 Vp-p/75 Ω C:0.286 Vp-p/75 Ωx1(S)NTSC 0.3 Vp-p/75 Ωx1(S)PAL	Frequency response		
	Preview output	VBS:1.0 p-p/75 Ωx1(BNC)	FS ON: 6.0 MHz+1 dB, -3 dB FS OFF:10.0 MHz+1 dB, -3 dB		
	Black burst signal	BBS:Sync:0.286 Vp-p C:0.286 Vp-p burst NTSC 0.3 Vp-p burst PAL 75 Ωx1(BNC)	S/N		
	Signal loop through output	1 each(BNC)	FS ON: More than 58 dB FS OFF:More than 65 dB		
Frame synchronizer		10 bit quantization 13.5 MHz sampling This installed in each channel (from 1 to 5) of VIDEO input.	Storage temperature		
Wipe patterns		9 patterns	Operating temperature		
Wipe directions		3 directions (normal,reverse,normal/reverse)	Humidity		
Mix		Cross fader	Power		
Auto take		Wipe, Mix (time adjustable)	Power consumption		
Key synthesis		Self Key, Linear Key	Dimensions(WxHxD)		
			Weight		
			Approx.4.9 lbs(2.2 kg)		

Controls and their functions



Dimensions



Panasonic

Panasonic Broadcast & Television Systems Co.
Unit of Panasonic Corporation of North America
www.panasonic.com/broadcast

Government Sales: phone: 201-348-7587

Headquarters: 3 Panasonic Way, 4E-7, Secaucus, NJ 07094; phone: 201-348-5300

Eastern Zone: 3 Panasonic Way, 4E-7, Secaucus, NJ 07094; phone: 201-348-7196

Western Zone: 3330 Cahuenga Blvd. West, Los Angeles, CA 90068; phone: 323-436-3608

AW-JACSW350



Printed in Japan